

A. SCHNEIDER.
Breech-Loading Fire-Arm.

No. 226,679.

Patented April 20, 1880.

FIG. 1.

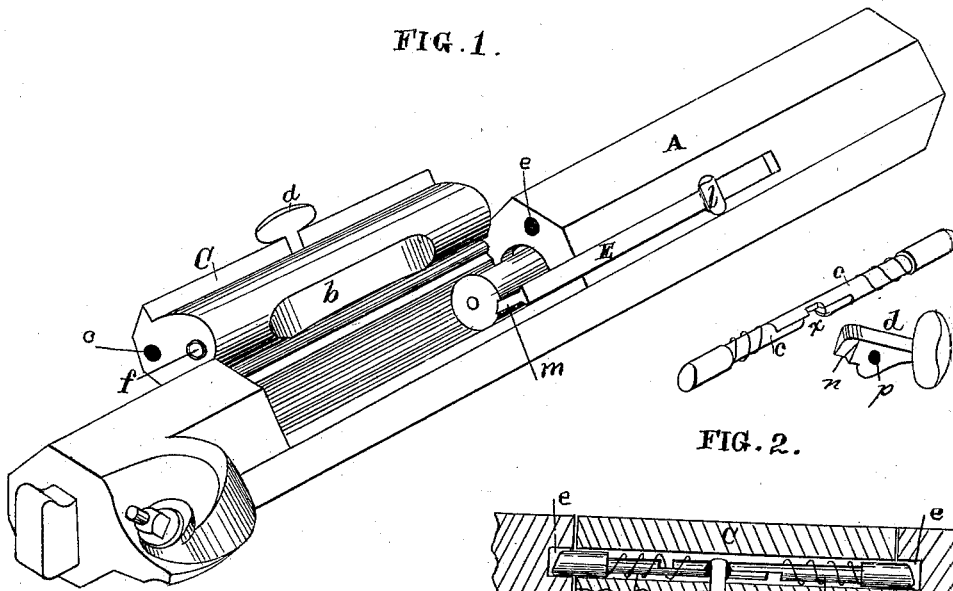


FIG. 2.

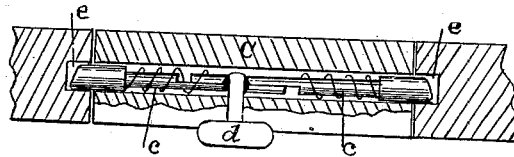
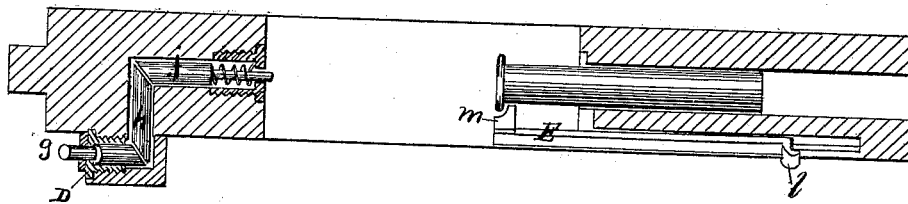


FIG. 3.



Witnesses

Geo. H. Strong
Frank S. Brooks

Inventor

A. Schneider
J. Dewey Co. Atty.

UNITED STATES PATENT OFFICE.

ALOIS SCHNEIDER, OF SAN FRANCISCO, CALIFORNIA.

BREECH-LOADING FIRE-ARM.

SPECIFICATION forming part of Letters Patent No. 226,679, dated April 20, 1880.

Application filed April 14, 1879.

To all whom it may concern:

Be it known that I, ALOIS SCHNEIDER, of the city and county of San Francisco, and State of California, have invented an Improvement in Breech-Loading Fire-Arms; and I hereby declare the following to be a full, clear, and exact description thereof.

My invention relates to certain improvements in fire-arms; and its object is more particularly to change the old style of muzzle-loading weapons into breech-loaders. This is accomplished by making a block to fit into a slot cut into the barrel, said block being hinged and provided with a snap-catch, and also having a firing-pin passing through it, by means of which the cartridge is exploded. The block is thrown back for the insertion of the cartridge, and an extractor is inserted in the barrel for throwing out the shell.

The nipple is removed and the breech recessed or bored, so that peculiarly-arranged pins will be operated by the fall of the hammer, so as to push the firing-pin forward and explode the cartridges.

The ordinary lock, stock, and barrel of a common muzzle-loader are used without further change, and the weapon is thus changed into a breech-loader, as is more fully shown in the accompanying drawings.

Figure 1 is a view of my invention, showing the breech opened out and the cartridge partly extracted. Fig. 2 is a section of the breech-block and a perspective view of the catches and snap. Fig. 3 is a horizontal section.

Let A represent the barrel of an ordinary rifle made originally for a muzzle-loader. Forward of the standing-breech I cut a section and fit into it a block, C, hinged to the barrel, as shown. This block C is formed so that the upper part corresponds to the shape of the barrel outside, and its lower circular portion fits into the bore of the gun. The under side of the lower portion is cut away, as shown at b, so as to leave a space for the expansion of the gases.

Two catches, c, operated by a thumb-piece, d, having a beveled end, n, and pivoted at p, run lengthwise in this block, both being drawn back toward the center by the centrally-placed thumb-piece forcing its beveled end into offsets x x. When the block is closed into the

barrel these catches spring into slots e at each end of the opening, so the block is held firmly in place, as shown. The lower edges of the catches are beveled, as shown, so as to be easily pushed back into the block, and suitable springs throw them out when in line with the slots. The block is thus held down at both ends. Through the center of the lower portion of the block passes the firing-pin f, provided with a coiled spring for drawing it back into position after it is thrown forward, as hereinafter described.

In order to utilize the standing-breech of the muzzle-loading gun without making expensive changes, I simply remove the nipple from the socket and screw in a nipple, D, having a pin, g, provided with a spring for throwing it up. The lower end of this pin is beveled off, as shown, and strikes in the beveled end of a transverse pin, h, which, being beveled also on the other end, meets in a corresponding manner the beveled driver j, the outer end of which is in line with the firing-pin in the block. This beveled driver is fitted with a spring for throwing it back into place.

The ordinary lock, trigger, hammer, &c., are used as originally made with the gun. As the hammer is thrown down by the spring it strikes the pin in the nipple, which operates the transverse pin and driver, thus throwing forward the firing-pin in the block, which strikes the primer in the cartridge and explodes the powder. When the gun is ready to fire the cartridge lies immediately in front of the block in a position to be struck by the firing-pin.

On the side of the barrel is placed a shell-extractor, E, having a thumb-piece or lug, l, on one end to push it back by, and on the other end, which comes inside the barrel, is a catch, m, which lies behind the rim or flange of the cartridge. To throw the cartridge out the block is swung back on its hinge and the extractor drawn back. This throws the cartridge back into the space left vacant by the block, and it will fall out. Another one may then be put in and the block closed.

By this means I utilize the old-fashioned breech-loading rifles by altering them in an inexpensive manner into breech-loaders. New guns may be made in this style also, if desired; but I intend my invention more particularly

for the class of weapons I have described. The extractor might be arranged to operate by the act of throwing back the breech-block.

Having thus described my invention, what I
5 claim as new, and desire to secure by Letters
Patent, is—

The breech-block C, hinged at one side so as
to swing on a longitudinal axis, and having
the double pin or catch e, operating in oppo-
10 site directions, so as to lock at each end, in

combination with the operating thumb-piece
d, substantially as and for the purpose herein
described.

In witness whereof I have hereunto set my
hand.

ALOIS SCHNEIDER.

Witnesses:

CHAS. G. YALE,
S. H. NOURSE.